



Zenith Engineering Pte Ltd

No 34, Joo Koon Circle
 Jurong , Singapore 62906
 Tel : (65) 861 1100 Fax : (65) 862 1948
 Email : info@ze.com.sg
 web : www.ze.com.sg

Incon IBC

INTERMEDIATE BULK CONTAINERS

and protection frame.

Standard Technical Characteristics

Tank material : cold rolled stainless steel. Cold forged top and bottom covers.

Welding :

passivated using closed cycle chemical system.

Base & Protection Frame steel St37 material, hot dip galvanized assembled with an automatic robotized MIG welding process, complete with shock & anti-vibration rubber pads.

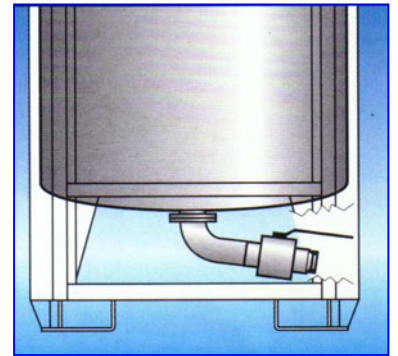
High standard design guarantees durable service under heavy duty operations and ensures required safety tasks.

Wide range of accessories and customized equipment



PH MODEL

Side discharge outlet.
 Bottom with weld-on flange and discharge pipe.
 Designed to ensure full product discharge.

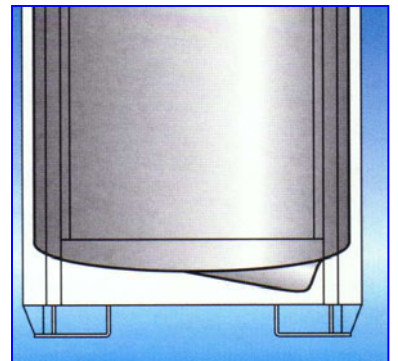


model		PH500	PH750	PH1000	PH1250
capacity	ltr	530	740	997	1310
height	mm	1155	1380	1660	2005
weight	kg	145	165	185	220
base dim	mm	1150 X 1150			



PL MODEL

Diagonal discharge outlet
 Bottom with deep drawn shaped discharge and weld-on flange.
 Designed to ensure full product discharge.

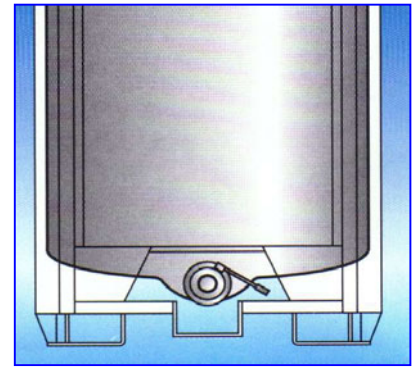


model		PL500	PL750	PL1000	PL1250
capacity	ltr	530	740	997	1310
height	mm	955	1180	1460	1805
weight	kg	140	160	180	215
base dim	mm	1150 X 1150			



PC MODEL

Side discharge outlet
Bottom with deep drawn shaped discharge and weld-on flange.
Designed to ensure full product discharge

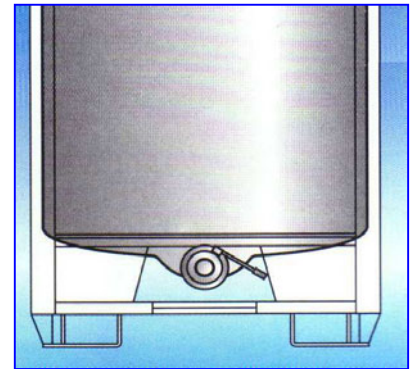


model		PC500	PC750	PC1000	PC1250
capacity	ltr	530	740	997	1310
height	mm	955	1180	1460	1805
weight	kg	140	160	180	215
base dim	mm	1150 X 1150			



PEC MODEL

Side discharge outlet
Bottom with deep drawn shaped discharge and weld-on flange.
Stackable with cubic standard container.

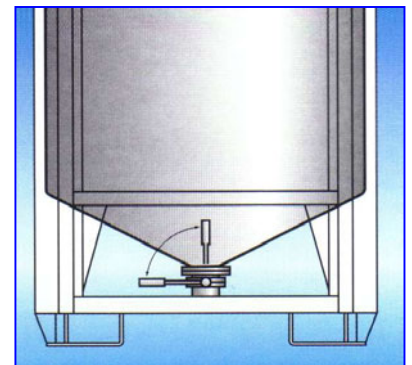


model		PEC750	PEC1000	PEC1250
capacity	ltr	740	997	1310
height	mm	1420	1600	1950
weight	kg	180	200	235
base dim	mm	1200 x 1100		



PFC MODEL

Axial discharge outlet.
Conical bottom with weld-on flange.
Designed for granular / powder and viscous products.



model		PFC750	PFC1000	PFC1250
capacity	ltr	740	997	1253
height	mm	1445	1660	1940
weight	kg	180	200	225
base dim	mm	1150 x 1150		